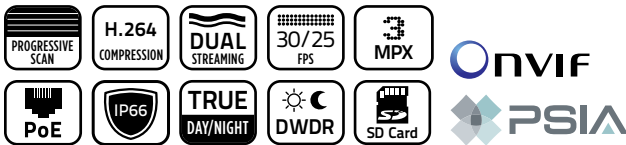


IP Open Standards Cameras

1.3 and 3MPx IP Dome and Bullet IR Cameras



OVERVIEW

TruVision® IP Megapixel Open Standards dome and bullet cameras bring state-of-the-art, high-definition images to the mass video surveillance market. Designed to adhere to PSIA and ONVIF open communication standards, these cameras also support a CGI command set for simple integration into any IP system. 1.3 and 3MPx resolution options provide the flexibility for a wide variety of applications.

An integrated browser and micro SD memory card storage capabilities (dome models) simplify remote, live monitoring/playback of edge-recorded video and audio. Memory card recording protects data in the event of network disruptions.



STANDARD FEATURES

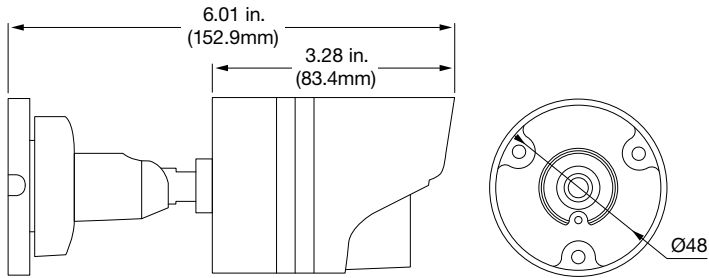
- 1.3 and 3MPx resolution options
- Designed to PSIA and ONVIF open standards
- Select models feature DWDR and/or real-time video streaming up to 1080p resolution to capture every detail
- H.264 compression technology with dual-streaming capability accommodates multiple settings
- Dome models feature edge recording up to 64GB micro SD card for video playback (card not included)
- Select models offer true day/night functionality and infrared illuminators for capturing images in various lighting scenarios
- Integrated motion detection and privacy masking
- IP66 rating
- Bullet models feature an innovative cable management and bracketing system
- Included TruVision Device Finder program provides fast and easy access to newly added system devices

Application

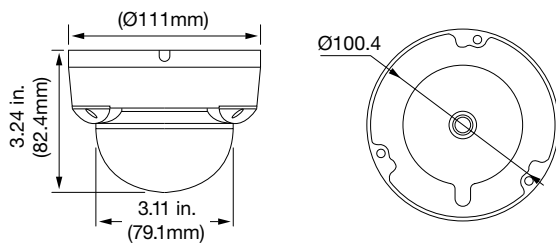
TruVision® IP Megapixel cameras are specifically designed for applications that require high-quality IP images. When paired with IP devices, these cameras provide ideal surveillance for environments such as retail, banking, education, airports or gaming, where detailed image capture is critical for effectively monitoring people and transactions.

Dimensional Diagrams

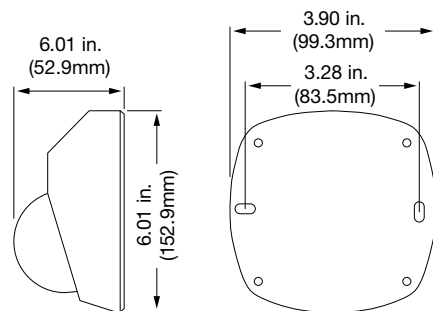
TVB-1101/3101, TVB-1102/3102



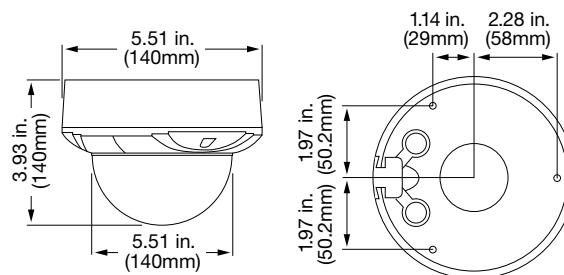
TVD-1101/3101, TVD-1102/3102



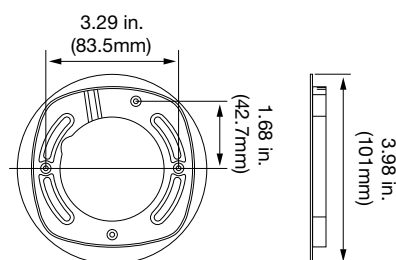
TVW-1101/3101, TVW-1102/3102



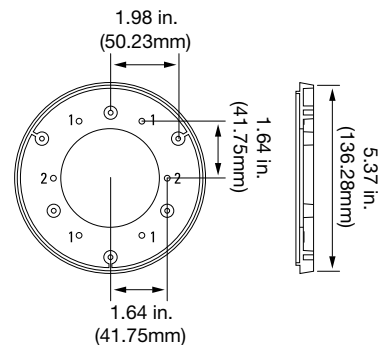
TVD-1103/3103, TVD-1104/3104







Mounting Plate



Mounting Plate



Specifications

PART NO.		TVB-1101/3101 TVB-1102/3102	TVW-1101/3101 TVW-1102/3102	TVD-1101/3101 TVD-1102/3102	TVD-1103/3103 TVD-1104/3104
Description					
Camera	Sensor Size	1/3"			
	SD/MPx	1.3MPx/3MPx			
	Sensor Scan	Progressive Scan			
	Sensor Type	CMOS			
	IP Compression/Standard	H.264/MJPEG			
	Maximum Resolution (@ FPS)	1280x960 (25fps/30fps) / 2048x1536 (12.5fps/15fps)			
	Maximum Real-Time Resolution	1280 × 960/1920 × 1080			
	HD 720p	720P/1080P			
	Composite Output	No	No	BNC	No
	S/N Ratio	50dB			
	Electronic Shutter	1/3s ~ 1/100,000s			
	Certification	UL, CE, FCC, C-tick, REACH, RoHS, HALT, WEEE			
	Lighting Performance	Wide Dynamic Range	DWDR		
WDR in dB		72dB			
Digital Noise Reduction		3D			
Day/Night		IR cut filter with auto switch	IR cut filter with auto switch	Fixed IR cut filter	IR cut filter with auto switch
Motorized IR Cut Filter		Yes	Yes	No	Yes
Color Sensitivity		0.01Lux @ (F1.2, AGC On)			
B/W Sensitivity		0 Lux with IR	0 Lux with IR	0.01Lux @ (F1.2, AGC On)	0 Lux with IR
IR Sensitivity		0 Lux with IR	0 Lux with IR	NA	0 Lux with IR
IR Range		82 ft. (25 m)	33 ft. (10m)	NA	49 ft. (15 m)
IR Wavelength		850nm	850nm	NA	850nm
Housing	Camera Type	Bullet Camera	Low Profile Dome Camera	Dome Camera	Dome Camera
	Ratings	IP66	IP66 and IK08	NA	IP66 and IK10
	Outdoor	Yes	Yes	No	Yes
	Vandal Resistant	No	Yes	No	Yes
Lens	Control Type	Fixed	Fixed	Fixed	VF Manual
	Focal Length	6 mm @ F2.0	2.8 mm @ F2.0	2.8 mm @ F2.0	2.8 – 12 mm @ F1.4
	Autoiris	NA	NA	NA	Yes
	Varifocal	No	No	No	Yes
Power	Voltage Input	12VDC	12VDC	NA	12VDC
	Power Consumption	Max. 5W	Max. 5W	Max. 5W	Max. 5.5W
	PoE	PoE (802.3af)			
Network	Bit Rate	128 Kbps ~ 8 Mbps/16Mbps			
	ONVIF	Yes			
	PSIA	Yes			
	CGI	Yes			
	Network Protocols	TCP/IP, HTTP, DHCP, DNS, DDNS, RTP, RTSP, PPPoE, SMTP, NTP, UPnP, SNMP, HTTPS, FTP, 802.1x, Qos, IPv4/IPv6			
Local Storage	Media	NA	Built-in Micro SD	NA	Built-in Micro SD
	Capacity	NA	64 GB	NA	64 GB
Others	Alarm	NA	NA	NA	1 input/1output
	Audio	NA	NA	NA	Bi-directional
Camera Analytics	Motion Detection	Yes			
	Privacy Masking	Yes			
Mechanical/ Environmental	Dimensions	Ø 60 × 153 mm	99 × 97 × 53 mm	Ø 111 × 82 mm	Ø 140 × 100 mm
	Weight	373g	407g	370g	767g
	Operating Temp. (Cold Start)	-30°C – 60°C (-22°F – 140°F)			
	Adapter Mounting Plates	N/A	Converter pan included	N/A	Mounting plate included

IP Open Standards Cameras

North America
T 855-286-8889

Latin America
T 561-998-6114

1.3 and 3MPx IP Dome and Bullet IR Cameras

Ordering Information

NTSC

TVB-3101	TruVision® 1.3MPx, NTSC, Outdoor IR Mini Bullet, True D/N, H.264, PSIA/ONVIF/CGI, 25m IR, 6mm @ F2.0, PoE/12VDC
TVB-3102	TruVision 3MPx, NTSC, Outdoor IR Mini Bullet, True D/N, H.264, PSIA/ONVIF/CGI, 25m IR, 6mm @ F2.0, PoE/12VDC
TVD-3101	TruVision 1.3MPx, NTSC, Indoor Mini Dome, Digital D/N, H.264, PSIA/ONVIF/CGI, 2.8mm @ F2.0, PoE/not support 12VDC
TVD-3102	TruVision 3MPx, NTSC, Indoor Mini Dome, Digital D/N, H.264, PSIA/ONVIF/CGI, 2.8mm @ F2.0, PoE/not support 12VDC
TVD-3103	TruVision 1.3MPx, NTSC, Outdoor IR Mini Dome, True D/N, H.264, PSIA/ONVIF/CGI, 15m IR, 2.8 to 12mm @ F1.4, PoE/12VDC
TVD-3104	TruVision 3MPx, NTSC, Outdoor IR Mini Dome, True D/N, H.264, PSIA/ONVIF/CGI, 15m IR, 2.8 to 12mm @ F1.4, PoE/12VDC
TVW-3101	TruVision 1.3MPx, NTSC, Outdoor IR Wedge Dome, True D/N, H.264, PSIA/ONVIF/CGI, 10m IR, 2.8mm @ F2.0, PoE/12VDC
TVW-3102	TruVision 3MPx, NTSC, Outdoor IR Wedge Dome, True D/N, H.264, PSIA/ONVIF/CGI, 10m IR, 2.8mm @ F2.0, PoE/12VDC

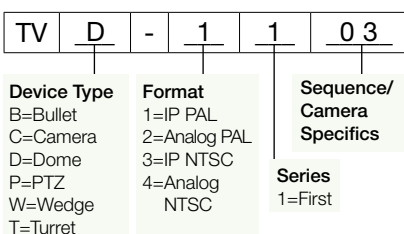
PAL

TVB-1101	TruVision 1.3MPx, PAL, Outdoor IR Mini Bullet, True D/N, H.264, PSIA/ONVIF/CGI, 25m IR, 6mm @ F2.0, PoE/12VDC
TVB-1102	TruVision 3MPx, PAL, Outdoor IR Mini Bullet, True D/N, H.264, PSIA/ONVIF/CGI, 25m IR, 6mm @ F2.0, PoE/12VDC
TVD-1101	TruVision 1.3MPx, PAL, Indoor Mini Dome, Digital D/N, H.264, PSIA/ONVIF/CGI, 2.8mm @ F2.0, PoE/not support 12VDC
TVD-1102	TruVision 3MPx, PAL, Indoor Mini Dome, Digital D/N, H.264, PSIA/ONVIF/CGI, 2.8mm @ F2.0, PoE/not support 12VDC
TVD-1103	TruVision 1.3MPx, PAL, Outdoor IR Mini Dome, True D/N, H.264, PSIA/ONVIF/CGI, 15m IR, 2.8 to 12mm @ F1.4, PoE/12VDC
TVD-1104	TruVision 3MPx, PAL, Outdoor IR Mini Dome, True D/N, H.264, PSIA/ONVIF/CGI, 15m IR, 2.8 to 12mm @ F1.4, PoE/12VDC
TVW-1101	TruVision 1.3MPx, PAL, Outdoor IR Wedge Dome, True D/N, H.264, PSIA/ONVIF/CGI, 10m IR, 2.8mm @ F2.0, PoE/12VDC
TVW-1102	TruVision 3MPx, PAL, Outdoor IR Wedge Dome, True D/N, H.264, PSIA/ONVIF/CGI, 10m IR, 2.8mm @ F2.0, PoE/12VDC

Accessories

TVD-SNB	TruVision Dome Swan Neck Bracket (use w/TVD-CB3, TVD-CB2)
TVD-PPB	TruVision Dome Pendant-Mount Bracket (use w/TVD-CB3, TVD-CB2)
TVD-CB5A	TruVision Integrated Dome 5" Cup Base (use w/TruVision IP Outdoor Dome Cameras; TVD-SNB; TVD-PPB)
TVD-CB3	TruVision Dome 3" Cup Base (use w/UVD and TVD-6 Series Analog Domes, Indoor TVD-IP; TVD-SNB; TVD-PPB)
TVD-CB2	TruVision Dome 2" Cup Base, Requires TVD-M2-WEBM (use w/TVD Low Profile Wedge Mini Domes; TVD-SNB; TVD-PNB)
TVD-M-PMA	TruVision Pole Mount Adapter (use w/TVD-SNB or TVC-IP Bullet Cameras)
TVD-M2-FM	TruVision Indoor Flush Mount (use w/Open Standard Series Indoor TVD-IP Domes)
TVD-M-CMA	TruVision Corner Mount Adaptor for TVD-SNB (or TVC-IP Bullet Cameras)
TVD-M2-PNDT	TruVision Dome Pendant Mount (use w/TVD-CB3, TVD-CB2)
TVD-M2-WM	TruVision Dome Wall Mount (use w/Open Standard Series Indoor TVD-IP Domes)
TVD-M2-WEBM	TruVision Wedge Mini Dome Electrical Box Adaptor

IP/Megapixel part number schema



interlogix.com

Specifications subject to change without notice.

© 2013 United Technologies Corporation.
All rights reserved.

Interlogix is a part of UTC Building & Industrial Systems,
a unit of United Technologies Corporation.
310-3735 2013/11 (76368)

TruVision® Line 960H Premium Resolution IR Cameras

A complete line of 700TVL resolution infrared cameras ideal for a wide range of indoor and outdoor applications



OVERVIEW

The TruVision® line includes a comprehensive family of 960H premium resolution infrared (IR) cameras for stand-alone or integrated installations, designed for optimal image quality. Ideal for surveillance system installations ranging from convenience stores to retail mall parking lots, the TruVision IR line has the right cameras for your job and can help you stay within budget constraints without compromising security needs. These cameras can see in total darkness, providing color images by day and black-and-white images under IR operation in low-light applications.

Form factors include wedge, turret and traditional bullet cameras. Turret models allow for ceiling or wall mounting while still maintaining a level field of view. Single gang adaptor plates are included with the turret models, while the bullet models offer a familiar form factor that features a pre-installed wall mount with cable pass management. TruVision IR turret and bullet cameras are also available in fixed lens and varifocal lens models with true day/night capabilities.

All TruVision IR cameras are designed to install quickly and easily, right out of the box, so you can be up and running in no time. For superior quality and performance, Interlogix delivers the level of products you'd expect from a leader in the video surveillance market.

STANDARD FEATURES

- High resolution 700TVL
- Multiple varifocal and fixed lens versions with balanced IR illumination for optimal viewing
- IP66 and IP67 rating weather-resistant enclosures
- Removable IR Cut Filters, offering accurate focus in both day & night conditions
- Integrated bracket with hidden cable management

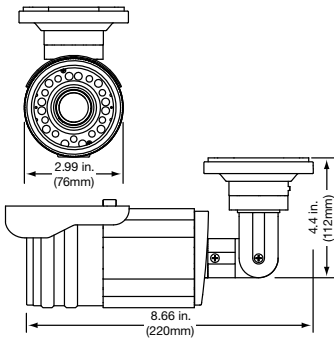
APPLICATION

Built for long-lasting service and plug-and-play functionality, the TruVision® IR line provides a value-based solution that is ideal for applications ranging from residential to office buildings.

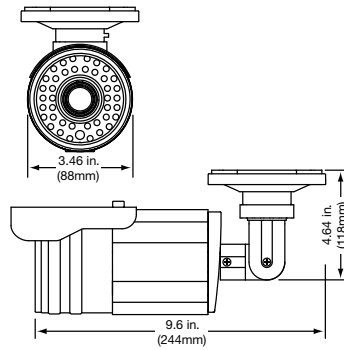
Designed for low-light and complete-darkness environments, TruVision cameras' balanced IR capabilities offer the perfect camera for each situation. With weather-resistant options that are well suited for indoor and outdoor applications, TruVision cameras represent sensible, secure video surveillance you can depend on.

DIMENSIONAL DIAGRAMS

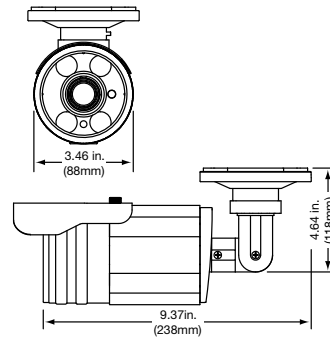
TVB-4102, TVB-2102



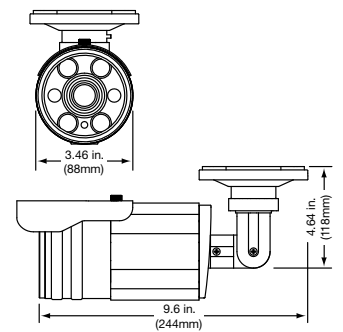
TVB-4103, TVB-2103



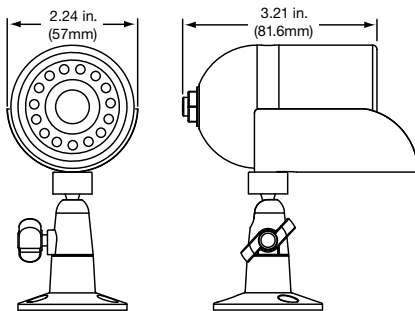
TVB-4104, TVB-2104



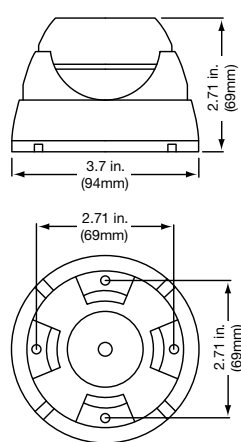
TVB-4105, TVB-2105



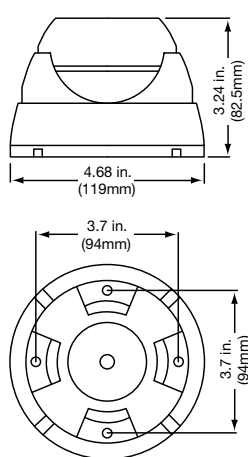
TVB-4101, TVB-2101



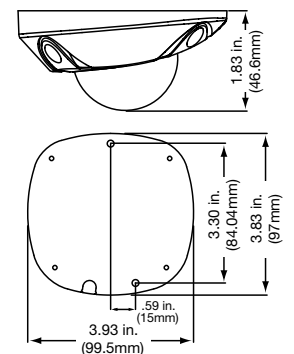
TVT-4101, TVT-2101











TVT-4103, TVT-2103



TVW-4101, TVW-2101



TRUVISION® IR CAMERA SPECIFICATIONS

	TVB-4101 (NTSC) TVB-2101 (PAL)	TVT-4101 (NTSC) TVT-2101 (PAL)	TVT-4103 (NTSC) TVT-2103 (PAL)	TWV-4101 (NTSC) TWV-2101 (PAL)	TVB-4102 (NTSC) TVB-2102 (PAL)	TVB-4103 (NTSC) TVB-2103 (PAL)	TVB-4104 (NTSC) TVB-2104 (PAL)	TVB-4105 (NTSC) TVB-2105 (PAL)
								
Description	Bullet	Turret	Turret	Wedge	Bullet	Bullet	Bullet	Bullet
Pickup Device	1/3 in. color CCD sensor	1/3 in. color CCD	1/3 in. color CCD	1/3 in. CMOS sensor	1/3 in. CCD sensor	1/3 in. CCD sensor	1/3 in. Exview CCD II sensor	
Total Pixels (HxV)	NTSC: 1020 x 508 PAL: 1020 x 596							
Effective Pixels (HxV)	NTSC: 976 x 494 PAL: 976 x 582			NTSC: 976 x 496 PAL: 976 x 496	NTSC: 976 x 494 PAL: 976 x 582			
Resolution	700TVL							
Synchronization System	Internal							
Scanning Mode	2:1 interlace							
True D/N IR Cut Filter	No	No	Yes	Yes	Yes	Yes	Yes	Yes
S/N Ratio	>50 dB (AGC Off)			>62 dB (AGC Off)	>50 dB (AGC Off)	>52 dB (AGC Off)		
Electronic Shutter	NTSC: 1/60 s to 1/100,000 s PAL: 1/50 s to 1/100,000 s							
Minimum Illumination	0.2 lux color / F2.0 0.00 lux IR On	0.2 lux color / F2.0	0.2 lux color / F1.5 0.00 lux IR On	0.1 lux (F1.2, AGC On) 0.00 lux IR On	0.2 lux color / F1.5 0.00 lux IR On	0.2 lux color / F1.5 0.00 lux IR On	0.01 lux color / F1.2 0.00 lux IR On	
IR Illumination Range	49 ft. (15 m)		82 ft. (25 m)	32 ft. (10 m)	82 ft. (25 m)	180 ft. (55 m)	164 ft. (50 m)	328 ft. (100 m)
Video Output	1 Vp-p composite output (75 Ω/BNC)							
White Balance	AWB							
Lens Type	3.6 mm fixed		3.3 ~ 12mm varifocal	2.8 mm fixed	3.3 ~ 12mm varifocal	6 ~ 50mm varifocal	2.8 ~ 11mm motorized lens	5 ~ 50mm motorized lens
Power Supply	12VDC		24VAC/12VDC					
Current	82mA (IR Off) 267mA (IR On)	80mA (IR Off) 200mA (IR On)	24VAC 139mA/ 12VDC 131mA (IR Off) 24VAC 399mA/ 12VDC 457mA (IR Off) 24VAC 399mA/ 12VDC 457mA (IR On)	Max. 0.33A	24VAC 187mA/ 12VDC 181mA (IR Off) 24VAC 510mA/ 12VDC 604mA (IR On)	24VAC 188mA/ 12VDC 173mA (IR Off) 24VAC 516mA/ 12VDC 629mA (IR On)	24VAC/610mA max. 12VDC/840mA max.	24VAC/780mA max. 12VDC/1.18A max.
Power Consumption	0.984W max. (IR Off) 3.204W max. (IR On)	12VDC/2.41W max.	24VAC 1.6W/ 12VDC 1.572W (IR Off) 24VAC 5.2W/ 12VDC 5.484W (IR On)	Max. 2W (Max. 4W with IR cut filter on)	24VAC 2.2W/12VDC 2.172W (IR Off) 24VAC 7.2W/12VDC 7.248W (IR On)	24VAC 2.2W/12VDC 2.076W (IR Off) 24VAC 7.3W/12VDC 7.512W (IR On)	24VAC/9.5 W max. 12VDC/10.08 W max.	24VAC/13 W max. 12VDC/14.2 W max.
Storage Temperature	-4 to +158°C (-20 to 70°F)	-22 to +158°C (-30 to 70°F)	-22 to +158°C (-30 to 70°F)	-4 to 158°F (-20 to 70°C)	-4 to 158°F (-20 to +70°C)	-22 to +140°C (-30 to 60°F)	-22 to +158°C (-30 to 70°F)	-22°F to 158°F (-30°C to +70°C)
Operating Temperature	-22 to +140°C (-30 to 60°F)							
Weight	0.7 lb. (310 g)	0.86 lb. (390 g)	1.7 lb. (760 g)	0.7 lb. (300 g)	2.08 lb. (945 g)	2.39 lb. (1085 g)	2.08 lb. (945 g)	2.39 lb. (1085 g)
Weatherproof	IP67		IP66		IP67			

TruVision® Line 960H Premium Resolution IR Cameras

North America
T 855-286-8889

Latin America
T 561-998-6114

A complete line of 700TVL resolution infrared cameras ideal for a wide range of indoor and outdoor applications

Ordering Information

NTSC

TVB-4101	TruVision® IR Bullet Camera, 700TVL, 3.6mm Fixed Lens, IR 15m 12VDC, NTSC
TVT-4101	TruVision IR Turret Camera, 700TVL, 3.6mm Fixed Lens, IR 15m 12VDC, NTSC
TVT-4103	TruVision IR Turret Camera, 700TVL, 3.3-12mm VF Lens, IR 25m 12VDC/24VAC, NTSC
TVW-4101	TruVision IR Wedge Camera, 700TVL, 2.8mm Fixed Lens, True Day/Night, IR 10m 12VDC, NTSC
TVB-4102	TruVision IR Bullet Camera, 700TVL, 3.3-12mm VF Lens, IR 25m 12VDC/24VAC, NTSC
TVB-4103	TruVision IR Bullet Camera, 700TVL, 6-50mm VF Lens, True Day/Night, IR 55m 12VDC/24VAC, NTSC
TVB-4104	TruVision IR Bullet Camera, 700TVL, 2.8-11mm Motorized Lens, True Day/Night, IR 50m 12VDC/24VAC, NTSC
TVB-4105	TruVision IR Bullet Camera, 700TVL, 5-50mm Motorized Lens, True Day/Night, IR 100m 12VDC/24VAC, NTSC

PAL

TVB-2101	TruVision IR Bullet Camera, 700TVL, 3.6mm Fixed Lens, IR 15m 12VDC, PAL
TVT-2101	TruVision IR Turret Camera, 700TVL, 3.6mm Fixed Lens, IR 15m 12VDC, PAL
TVT-2103	TruVision IR Turret Camera, 700TVL, 3.3-12mm VF Lens, IR 25m 12VDC/24VAC, PAL
TVW-2101	TruVision IR Wedge Camera, 700TVL, 2.8mm Fixed Lens, True Day/Night, IR 10m 12VDC, PAL
TVB-2102	TruVision IR Bullet Camera, 700TVL, 3.3-12mm VF Lens, IR 25m 12VDC/24VAC, PAL
TVB-2103	TruVision IR Bullet Camera, 700TVL, 6-50mm VF Lens, True Day/Night, IR 55m 12VDC/24VAC, PAL
TVB-2104	TruVision IR Bullet Camera, 700TVL, 2.8-11mm Motorized Lens, True Day/Night, IR 50m 12VDC/24VAC, PAL
TVB-2105	TruVision IR Bullet Camera, 700TVL, 5-50mm Motorized Lens, True Day/Night, IR 100m 12VDC/24VAC, PAL

Accessories

TVS-C100	Coaxial Controller (for TVB-4104/2104 and TVB-4105/2105 Cameras)
-----------------	--



interlogix.com

Specifications subject to change without notice.

© 2013 United Technologies Corporation.

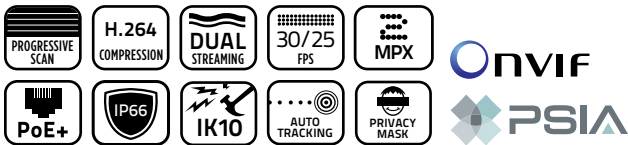
All rights reserved.

Interlogix is part of UTC Building & Industrial Systems,
a unit of United Technologies Corporation.

311-3746 2013/12 (76456)

IP Megapixel PTZ Cameras

1.3 and 2.0MPx IP PTZ Cameras



OVERVIEW




The TruVision® IP Megapixel PTZ represents the next generation of H.264-based PTZ video surveillance technology. Fully programmable and designed to deliver unmatched performance, the TruVision IP Megapixel PTZ produces high-quality IP video in a variety of challenging environments. The progressive-scan 1.3 and 2.0MPx 20X optical zoom camera offers clear images at short- and long-range distances, while the digital wide dynamic range functionality enables viewing in bright and dark areas simultaneously.

The TruVision IP Megapixel PTZ allows you to capture what is important when using some of the new features, such as intelligent tracking and region of interest. While allowing you to mask off areas that require privacy.

Three housing options are available: indoor/outdoor pendant, indoor flush and indoor surface. The indoor/outdoor pendant is IP66-rated for outdoor use and includes a heater and fan, and is also wall mount ready (GEA-102) and can be pendant-mounted using an available threaded adapter. The indoor flush and surface models offer a fast, simple installation right out of the box.

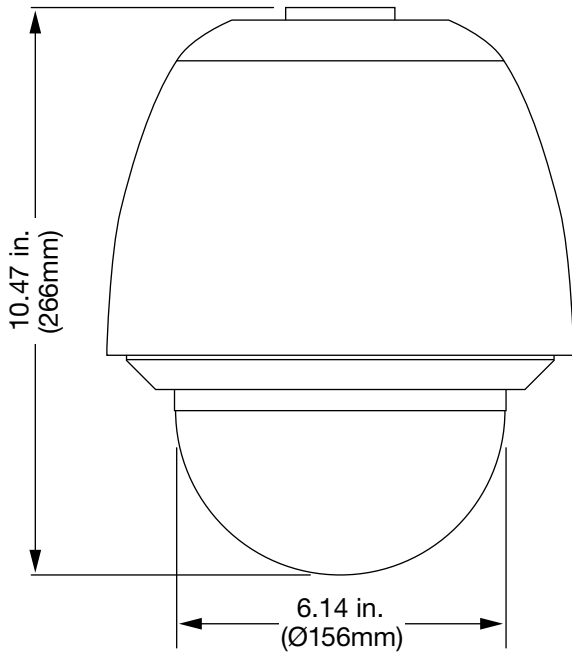
STANDARD FEATURES

- 1/3-inch progressive scan CMOS
- H.264/MPEG/MJPEG compression technology
- Resolution up to 30 FPS
- Privacy Masks, Intelligent tracking, Region of Interest (ROI)
- Built-in micro SD card slot provided, supports up to 32GB
- POE+ or 24VAC
- Built-in Web page for PC-based control
- ONVIF/PSIA open standards compliant
- Indoor and outdoor mounts available
- Pendant models compatible with CyberDome/Legend GEA Series wall mounts

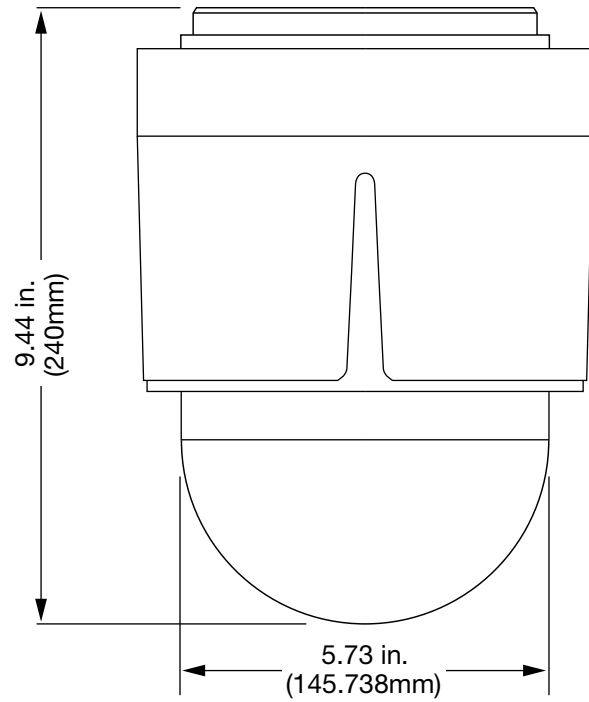
PART NO.		TVP-1101/3101 TVP-1104/3104	TVP-1102/3102 TVP-1105/3105	TVP-1103/3103 TVP-1106/3106
Description				
Camera	Sensor Size	1/3"		
	SD/MPX	1.3MPx/2MPx		
	Sensor Scan	Progressive Scan		
	Sensor Type	CMOS		
	IP Compression/Standard	H.264/MPEG4/MJPEG		
	Maximum Resolution (@ FPS)	1280 x 960 (25fps/30fps)/1920 x 1080 (25fps/30fps)		
	Maximum Real-Time Resolution	1280 x 960/1920 x 1080		
	HD 720p	720P/1080P		
	Composite Output	BNC		
	S/N Ratio	50dB		
	Electronic Shutter	PAL: 1/25-1/10,000s NTSC: 1/30-1/10,000s		
	Certification	UL, CE, FCC, C-tick, REACH, RoHS, HALT, WEEE		
	Lighting Performance	Wide Dynamic Range	DWDR	
WDR in dB		N/A		
Digital Noise Reduction		3D		
Day/Night		IR cut filter with auto switch		
Motorized IR Cut Filter		Yes		
Color Sensitivity		1.3MPx: 0.05 lux @ (F1.4, AGC On) 2MPx: 0.05 lux @ (F1.6, AGC On)		
B/W Sensitivity		1.3MPx: 0.005 lux @ (F1.4, AGC On) 2MPx: 0.005 lux @ (F1.6, AGC On)		
Housing	Camera Type	Pendant Mount	Surface Mount	Flush Mount
	Ratings	IP66 and IK10	IP54	IP54
	Outdoor	Yes	No	No
	Rugged	Yes	No	No
Lens	Control Type	20X Zoom Lens		
	Focal Length	4.3 – 86mm @ F1.4 - 2.6, 4.7 - 94mm @ F1.6 - F3.5		
Power	Voltage Input	24VAC		
	Power Consumption	PoE: Max. 25W Pendant: 24VAC, Max. 65W Surface and Flush: 24VAC, Max. 25W		
	PoE	PoE+ (802.3at)		
Network	Bit Rate	128 Kbps ~ 16Mbps		
	ONVIF	Yes		
	PSIA	Yes		
	CGI	Yes		
	Network Protocols	TCP/IP, HTTP, DHCP, DNS, DDNS, RTP, RTSP, PPPoE, SMTP, NTP, UPnP, SNMP, HTTPS, FTP, 802.1x, Qos, IPv4/IPv6		
Local Storage	Media	Built-in Micro SD card slot		
	Capacity	32 GB		
Others	Alarm	Input 7/output relay 2		
	Audio	Bi-directional		
Camera Analytics	Motion Detection	Yes		
	Privacy Masking	Yes		
Mechanical/ Environmental	Dimensions	Ø 220 x 266 mm	Ø 180 x 240 mm	Ø 206 x 251 mm
	Weight	3.5kg	2.5kg	3kg
	Operating Temperature (Cold Start)	PoE+: -30°C~65°C 24VAC: -40°C~65°C	-10°C – 50°C (14°F – 122°F)	-10°C – 50°C (14°F – 122°F)

Dimensional Diagrams

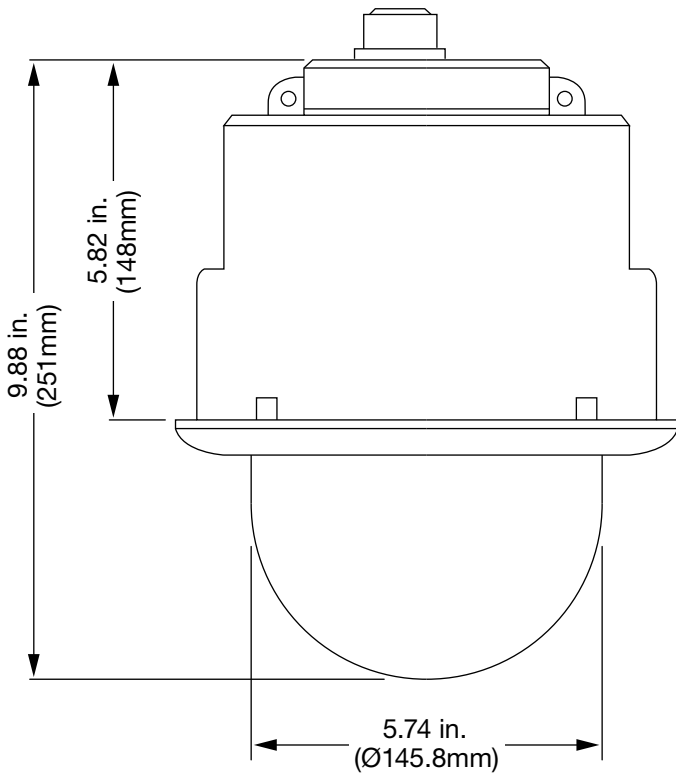
TVP-1101/3101
TVP-1104/3104



TVP-1102/3102
TVP-1105/3105



TVP-1103/3103
TVP-1106/3106



IP Megapixel PTZ Cameras

1.3 and 2.0MPx IP PTZ Cameras

North America
T 855-286-8889

Latin America
T 561-998-6114

Ordering Information

NTSC

TVP-3101	TruVision® 1.3MPx, NTSC, Pan/Tilt/Zoom Dome Pendant Outdoor, CMOS, True D/N, DWDR, Motorized IR Cut Filter, H.264, ONVIF/PSIA, 20X Optical Zoom, SD Card Slot, PoE+/24VAC
TVP-3102	TruVision 1.3MPx, NTSC, Pan/Tilt/Zoom Dome Surface Mount Indoor, CMOS, True D/N, DWDR, Motorized IR Cut Filter, H.264, ONVIF/PSIA, 20X Optical Zoom, SD Card Slot, PoE+/24VAC
TVP-3103	TruVision 1.3MPx, NTSC, Pan/Tilt/Zoom Dome Flush Mount Indoor, CMOS, True D/N, DWDR, Motorized IR Cut Filter, H.264, ONVIF/PSIA, 20X Optical Zoom, SD Card Slot, PoE+/24VAC
TVP-3104	TruVision 2MPx, NTSC, Pan/Tilt/Zoom Dome Pendant Outdoor, CMOS, True D/N, DWDR, Motorized IR Cut Filter, H.264, ONVIF/PSIA, 20X Optical Zoom, SD Card Slot, PoE+/24VAC
TVP-3105	TruVision 2MPx, NTSC, Pan/Tilt/Zoom Dome Surface Mount Indoor, CMOS, True D/N, DWDR, Motorized IR Cut Filter, H.264, ONVIF/PSIA, 20X Optical Zoom, SD Card Slot, PoE+/24VAC
TVP-3106	TruVision 2MPx, NTSC, Pan/Tilt/Zoom Dome Flush Mount Indoor, CMOS, True D/N, DWDR, Motorized IR Cut Filter, H.264, ONVIF/PSIA, 20X Optical Zoom, SD Card Slot, PoE+/24VAC

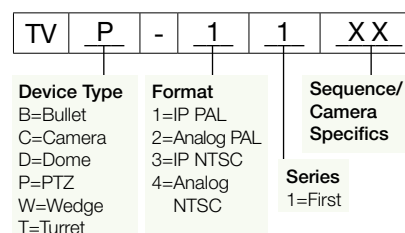
PAL

TVP-1101	TruVision 1.3MPx, PAL, Pan/Tilt/Zoom Dome Pendant Outdoor, CMOS, True D/N, DWDR, Motorized IR Cut Filter, H.264, ONVIF/PSIA, 20X Optical Zoom, SD Card Slot, PoE+/24VAC
TVP-1102	TruVision 1.3MPx, PAL, Pan/Tilt/Zoom Dome Surface Mount Indoor, CMOS, True D/N, DWDR, Motorized IR Cut Filter, H.264, ONVIF/PSIA, 20X Optical Zoom, SD Card Slot, PoE+/24VAC
TVP-1103	TruVision 1.3MPx, PAL, Pan/Tilt/Zoom Dome Flush Mount Indoor, CMOS, True D/N, DWDR, Motorized IR Cut Filter, H.264, ONVIF/PSIA, 20X Optical Zoom, SD Card Slot, PoE+/24VAC
TVP-1104	TruVision 2MPx, PAL, Pan/Tilt/Zoom Dome Pendant Outdoor, CMOS, True D/N, DWDR, Motorized IR Cut Filter, H.264, ONVIF/PSIA, 20X Optical Zoom, SD Card Slot, PoE+/24VAC
TVP-1105	TruVision 2MPx, PAL, Pan/Tilt/Zoom Dome Surface Mount Indoor, CMOS, True D/N, DWDR, Motorized IR Cut Filter, H.264, ONVIF/PSIA, 20X Optical Zoom, SD Card Slot, PoE+/24VAC
TVP-1106	TruVision 2MPx, PAL, Pan/Tilt/Zoom Dome Flush Mount Indoor, CMOS, True D/N, DWDR, Motorized IR Cut Filter, H.264, ONVIF/PSIA, 20X Optical Zoom, SD Card Slot, PoE+/24VAC

Accessories

1060050A	Pendant Adapter for PTZ, 1 1/4 NPT, Rubber Boot, UTC Gray (Used with Outdoor Pendant)
GEA-102	Wall Mount, Cast Aluminum
GEA-104	Parapet Swing-Arm Mount
GEA-105	Corner-Mount Adapter
GEA-106	Pole-Mount Adapter
GEA-107	Roof-Mount Adapter

IP/PTZ part number schema



interlogix.com

Specifications subject to change without notice.

© 2013 United Technologies Corporation.
All rights reserved.

Interlogix is part of UTC Building & Industrial Systems,
a unit of United Technologies Corporation.

310-3736 2013/12 (76475)

Indoor & Outdoor Motorized Lens Dome Camera

960H Premium Resolution Camera



OVERVIEW

The TruVision® 960H Premium Resolution Indoor and Outdoor Motorized Lens Dome Camera offers high-resolution video and multiple features that make it well suited to a variety of applications. Utilizing the latest CCD and DSP technologies, the camera delivers 960H (700TVL) resolution and 0.01 lux sensitivity for outstanding performance. The camera provides a defog feature which will improve video images in poor weather conditions such as smog, fog or smoke. Smart 3DNR technology will improve images in low light scenarios.

The motorized varifocal lens with IR cut filter provides true day/night surveillance which makes the TruVision dome camera ideal for both indoor and outdoor applications. Its IP66 vandal-resistant enclosure, integrated heater, and IK-10 rating offer additional durability and reliable value.

STANDARD FEATURES

- 960H (700TVL) resolution
- True day/night
- Supports defog, motion detection, privacy masks, smart zoom and digital image stabilization
- DWDR (Digital Wide Dynamic Range)
- Smart 3DNR for enhanced video images, especially in low light conditions
- Motorized varifocal lens: 2.8 to 11 mm @ f1.4
- OSD menus for easy camera configuration onsite
- 3-axis gimbal bracket
- IP66 rating and onboard heater for weather-resistant performance
- Vandal-resistant, rugged enclosure
- 12VDC or 24VAC power input
- Adapter plate included for electrical gang boxes
- IK-10 protection rating
- Optional TruVision Coaxial Controller for remote focus and zoom adjustment

Indoor & Outdoor Motorized Lens Dome Camera

960H Premium Resolution Camera

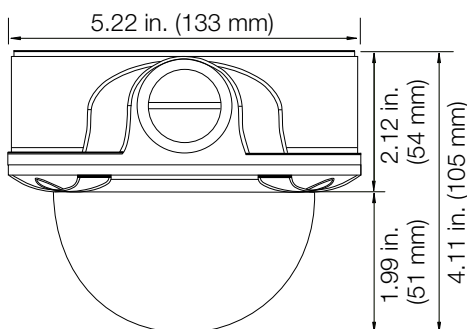
North America
T 855-286-8889

Latin America
T 561-998-6114

Specifications

Model	TVD-4101 / TVD-2101	
Pickup Device	1/3" EXview HAD II	
Total Pixels (H x V)	NTSC: 1028(H) x 508(V) PAL: 1028(H) x 596(V)	
Effective Pixels	NTSC: 976(H) x 494(V) PAL: 976(H) x 582(V)	
Resolution	700TVL	
Synchronization System	Internal synchronization	
IR Cut Filter	yes	
Scanning System	2:1 Interlace	
S/N ratio	>48dB (AGC off)	
Electronic Shutter	NTSC: 1/60 to 1/100,000 second PAL: 1/50 to 1/100,000 second	
Min. Illumination	0.1 lux (f1.2, AGC x1)	
WDR	DWDR	
DNR	Smart 3DNR	
Video Output	1.0 Vp-p / 75 ohm composite	
White Balance	ATW /AWB/AWC-SET/MANUAL	
Lens Type	2.8-11mm auto focus motorized lens	
Features Supported	Defog, motion detection, privacy masks, digital zoom, smart zoom, digital image stabilization, freeze, mirror	
OSD	OSD button & optional coaxial controller	
OSD Language	English, Chinese, German, French, Russian, Portuguese, Spanish	
Mechanical	3-Axis gimbal	
Protocol	RS-485	
Power Source	24VAC / 12VDC	
Current	24VAC / 220mA	Max: 408mA (Heater on)
	12VDC / 200mA	Max: 330mA (Heater on)
Power Consumption	24VAC / 2.2 W	Max: 8.4W (Heater on)
	12VDC / 2.4 W	Max: 3.96W (Heater on)
Operating Temperature	-22°F to 149°F (-30°C to 65°C) (Integrated heater for environments below -22°F/30°C)	
Operating Temperature (Cold Start)	14°F (-10°C)	
Storage Temperature	-22°F to 158°F (-30°C to 70°C)	
Dimension	5.22 x 4.11 in. (133 x 105 mm)	
Weight	2.49 lb. (1130 g)	
Ratings	IP66, IK-10	

Dimensional Diagram



Ordering Information

TVD-4101	TruVision® Outdoor Dome, NTSC, 700TVL, 2.8-11mm VF Motorized Lens, Auto Iris, True D/N, DWDR, Heater, IP66, IK-10, 12VDC/24VAC
TVD-2101	TruVision Outdoor Dome, PAL, 700TVL, 2.8-11mm VF Motorized Lens, Auto Iris, True D/N, DWDR, Heater, IP66, IK-10, 12VDC/24VAC

Accessories

TVS-C100	Coaxial Controller
TVD-SNB	TruVision Dome Swan Neck Bracket (use w/TVD-CB3, TVD-CB2)
TVD-PPB	TruVision Dome Pendant-Mount Bracket (use w/TVD-CB3, TVD-CB2)
TVD-CB3	TruVision Dome 3" Cup Base (use w/UVD and TVD-6 Series Analog Domes, Indoor TVD-IP; TVD-SNB; TVD-PPB)
TVD-M-PMA	TruVision Pole Mount Adapter (use w/TVD-SNB or TVC-IP Bullet Cameras)
TVD-M2-FM	TruVision Indoor Flush Mount (use w/Open Standard Series Indoor TVD-IP Domes)
TVD-M-CMA	TruVision Corner Mount Adaptor for TVD-SNB (or TVC-IP Bullet Cameras)
TVD-M2-PNDT	TruVision Dome Pendant Mount (use w/TVD-CB3, TVD-CB2)



interlogix.com

Specifications subject to change without notice.

© 2013 United Technologies Corporation.

All rights reserved.

Interlogix is part of UTC Building & Industrial Systems, a unit of United Technologies Corporation.

311-3749 2013/12 (76543)

960H Premium Resolution Series PTZ

High-res, 700TVL cameras



OVERVIEW

The TruVision® 960H Premium Resolution Series PTZ camera utilizes the latest PTZ technology to provide powerful, cost-effective surveillance for retail, commercial and small business applications. With advanced features such as True day/night surveillance and Digital Wide Dynamic Range imaging, the 23X and 36X PTZ cameras provide optimal image quality in a variety of indoor or outdoor environments. Motion detection, auto tracking, privacy masking and electronic image stabilization provide additional value to any surveillance system.


The camera's 700TVL resolution and a 23X or 36X optical zoom (16X digital) work together to deliver crisp, clear images even at a distance. The camera is fully programmable, with up to 255 presets, 8 preset tours, and shadow tours for end-user customization and flexibility.

TruVision PTZ cameras install easily, with pendant, surface or flush mount options to meet almost any application need. The indoor/outdoor pendant mount is IP66-rated, with an onboard heater and fan to withstand the elements. Auto tracking enables the camera to automatically track an object or person's movement once its movement is detected in the camera's field of view. A 24-zone privacy mask feature allows the camera to block out sensitive areas such as fitting rooms or restricted areas.

STANDARD FEATURES

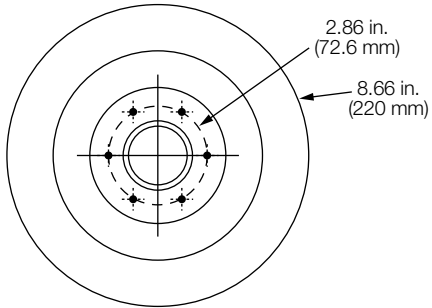
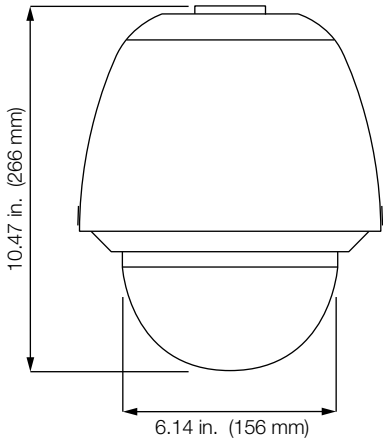
- 1/3-inch EXview CCD II (23X); 1/4 super HAD-II CCD (36X)
- 23X or 36X optical zoom, 16X digital
- 700TVL resolution
- 3DNR and DWDR (ATR-EX) functionality
- Supports Interlogix RS-485 protocol as well as select third-party protocols
- Indoor and outdoor versions available
- Wall mounts compatible with UltraView®/CyberDome™/Legend™ wall mount accessories
- Auto tracking, privacy masking, motion detection

Specifications

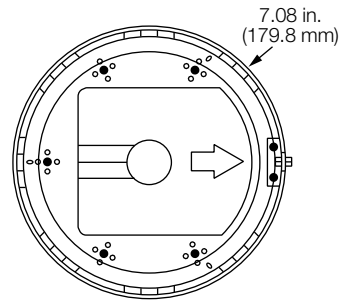
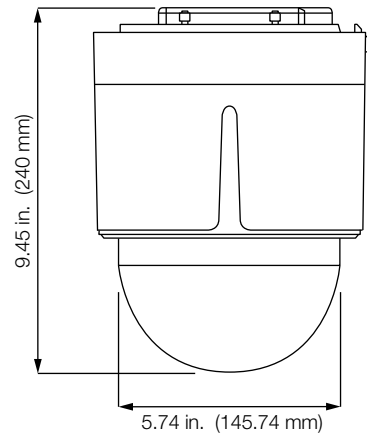
MODEL	TVP-4101 TVP-2101	TVP-4102 TVP-2102	TVP-4103 TVP-2103	TVP-4104 TVP-2104	TVP-4105 TVP-2105	TVP-4106 TVP-2106
						
Pick Up Device	1/3-inch EXview CCD II			1/4 super HAD-II CCD		
Total Pixels	NTSC: 1020 (H) x 508 (V) PAL: 1020 (H) x 596 (V)					
Effective Pixels	NTSC: 976 (H) x 494 (V) PAL: 976 (H) x 582 (V)					
Resolution	700TVL					
Optical Zoom	23X	23X	23X	36X	36X	36X
Digital Zoom	16X					
Synchronization System	Internal synchronization					
Scanning System	Interlaced scan					
IR Cut Filter	Yes					
S/N Ratio	52dB (AGC off)					
Electronic Shutter	NTSC: 1/4 to 1/100,000 second PAL: 1/3 to 1/100,000 second					
Min. Illumination	Color: 0.1 Lux @ (F1.4, AGC ON) B/W: 0.01 Lux @ (F1.4, AGC ON)			Color: 0.2 Lux @ (F1.4, AGC ON) B/W: 0.02 Lux @ (F1.4, AGC ON)		
WDR	DWDR (ATR-EX)					
DNR	3DNR					
Video Output	1.0 Vp-p/75 ohm composite					
OSD	Yes					
OSD Language	English / Chinese / German / French / Portuguese / Spanish					
Intelligence	Auto-tracking, Presets, Preset Tours, Shadow Tours, Scheduling, Motion Detection, Zones, Alarms					
Privacy Mask	24 zones					
Alarm Output/Input	7 alarm inputs, 2 alarm outputs					
Communication	RS485					
Protocol	Interlogix- 485, Pelco D, Pelco-P					
Power Source	24VAC					
Current	Max. 1.5A	Max. 0.625A	Max. 0.625A	Max. 1.5A	Max. 0.625A	Max. 0.625A
Power Consumption	Max. 35W	Max. 15W	Max. 15W	Max. 35W	Max. 15W	Max. 15W
Operating Temperature	-22°F – 149°F -30°C - 65°C	-4°F – 149°F -20°C - 65°C	-4°F – 149°F -20°C - 65°C	-22°F – 149°F -30°C - 65°C	-4°F – 149°F -20°C - 65°C	-4°F – 149°F -20°C - 65°C
Cold Start Temperature	-22°F -30°C	-4°F -20°C	-4°F -20°C	-22°F -30°C	-4°F -20°C	-4°F -20°C
Dimension (H x D)	104 x 86.6 in. (266 x 220mm)	94.5 x 70.5 in. (240 x 179.8mm)	98.8 x 81.2 in. (251 x 206.3mm)	104 x 86.6 in. (266 x 220mm)	94.5 x 70.5 in. (240 x 179.8mm)	98.8 x 81.2 in. (251 x 206.3mm)
Weight	7.7 lbs (3.5kg)	5.5 lbs (2.5kg)	6.6 lbs (3kg)	7.7 lbs (3.5kg)	5.5 lbs (2.5kg)	6.6 lbs (3kg)
Weatherproof Rating	IP66	IP44	IP54	IP66	IP44	IP54
Mounting	Pendant Indoor/ Outdoor	Surface Mount Indoor	Flush Mount Indoor	Pendant Indoor/ Outdoor	Surface Mount Indoor	Flush Mount Indoor
Heater/Fan	Yes	Fan Only	Fan Only	Yes	Fan Only	Fan Only

Dimensional Diagrams

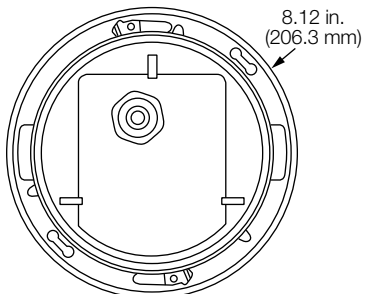
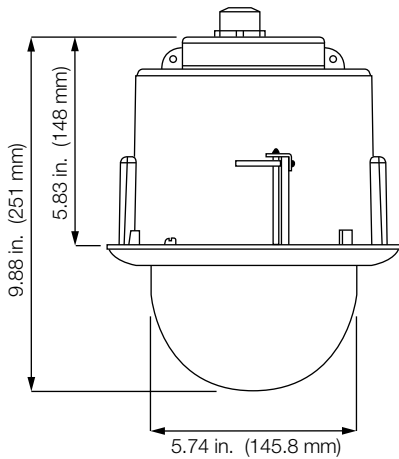
TVP-4101/4104
TVP-2101/2104



TVP-4102/4105
TVP-2102/2105



TVP-4103/4106
TVP-2103/2106



960H Premium Resolution Series PTZ

North America
T 855-286-8889

Latin America
T 561-998-6114

High-res, 700TVL cameras

Ordering Information

NTSC

TVP-4101	TruVision® Pan/Tilt/Zoom Dome, NTSC, 700TVL, 23X, True D/N, DWDR, Pendant Outdoor, IP66, 24VAC
TVP-4102	TruVision Pan/Tilt/Zoom Dome, NTSC, 700TVL, 23X, True D/N, DWDR, Surface Mount, IP44, 24VAC
TVP-4103	TruVision Pan/Tilt/Zoom Dome, NTSC, 700TVL, 23X, True D/N, DWDR, Flush Mount, IP54, 24VAC
TVP-4104	TruVision Pan/Tilt/Zoom Dome, NTSC, 700TVL, 36X, True D/N, DWDR, Pendant Outdoor, IP66, 24VAC
TVP-4105	TruVision Pan/Tilt/Zoom Dome, NTSC, 700TVL, 36X, True D/N, DWDR, Surface Mount, IP44, 24VAC
TVP-4106	TruVision Pan/Tilt/Zoom Dome, NTSC, 700TVL, 36X, True D/N, DWDR, Flush Mount, IP54, 24VAC

PAL

TVP-2101	TruVision Pan/Tilt/Zoom Dome, PAL, 700TVL, 23X, True D/N, DWDR, Pendant Outdoor, IP66, 24VAC
TVP-2102	TruVision Pan/Tilt/Zoom Dome, PAL, 700TVL, 23X, True D/N, DWDR, Surface Mount, IP44, 24VAC
TVP-2103	TruVision Pan/Tilt/Zoom Dome, PAL, 700TVL, 23X, True D/N, DWDR, Flush Mount, IP54, 24VAC
TVP-2104	TruVision Pan/Tilt/Zoom Dome, PAL, 700TVL, 36X, True D/N, DWDR, Pendant Outdoor, IP66, 24VAC
TVP-2105	TruVision Pan/Tilt/Zoom Dome, PAL, 700TVL, 36X, True D/N, DWDR, Surface Mount, IP44, 24VAC
TVP-2106	TruVision Pan/Tilt/Zoom Dome, PAL, 700TVL, 36X, True D/N, DWDR, Flush Mount, IP54, 24VAC

Accessories

1060050A	Pendant Adapter for PTZ, 1 1/4 NPT, Rubber Boot, UTC Gray (Used with Outdoor Pendant)
GEA-102	Wall Mount, Cast Aluminum
GEA-104	Parapet Swing-Arm Mount
GEA-105	Corner-Mount Adapter
GEA-106	Pole-Mount Adapter
GEA-107	Roof-Mount Adapter



interlogix.com

Specifications subject to change without notice.

© 2013 United Technologies Corporation.

All rights reserved.

Interlogix is part of UTC Building & Industrial Systems,
a unit of United Technologies Corporation.

311-3748 2013/12 (76545)